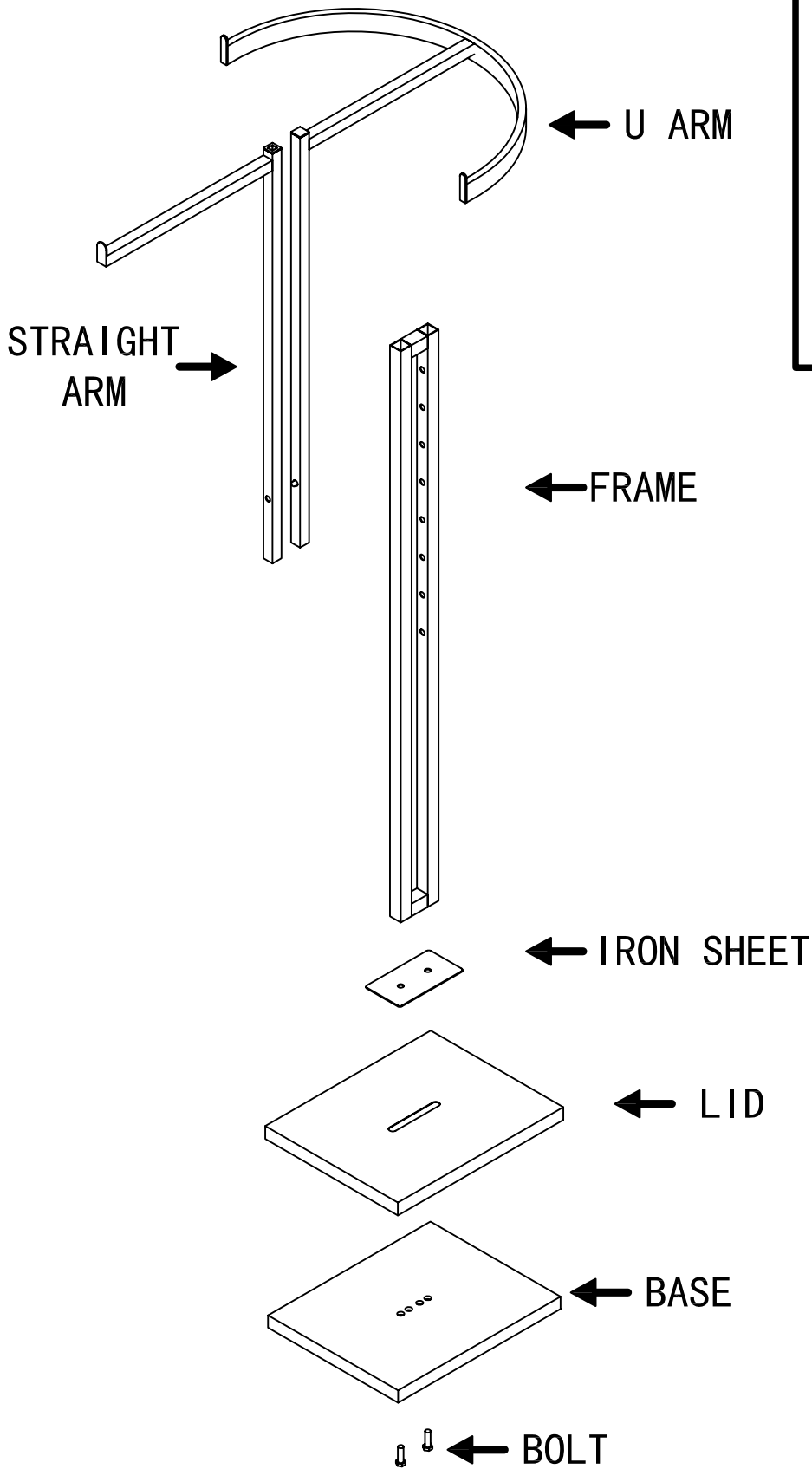


# K-27 ASSEMBLY INSTRUCTIONS



PART LIST	
1-	STRAIGHT ARM
1-	U ARM
1-	IRON SHEET
1-	LID
1-	BASE
1-	FRAME
2-	BOLTS

BOLTS ARE SCREWED  
IN PLACE