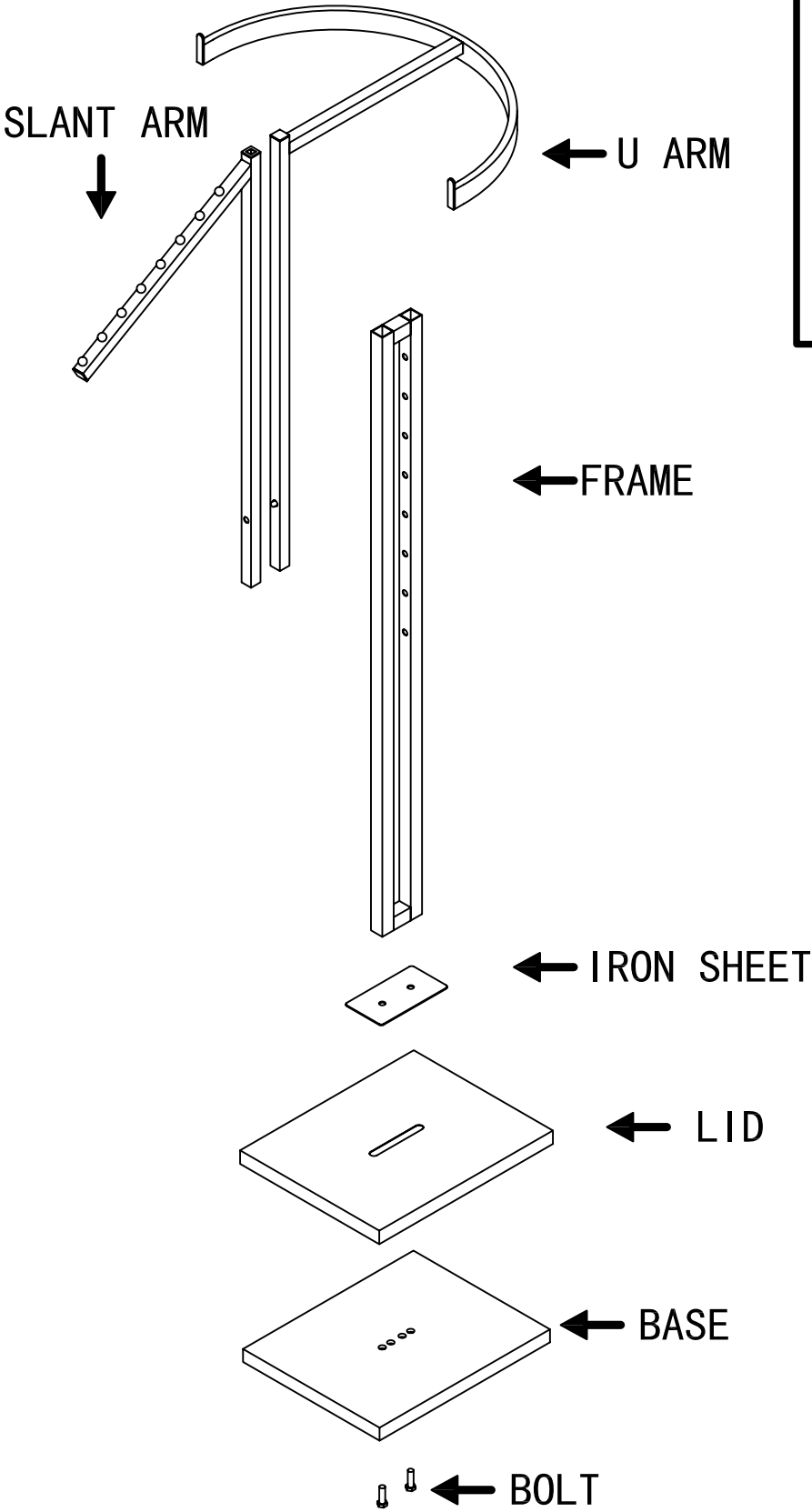


K-28 ASSEMBLY INSTRUCTIONS



PART LIST	
1-U ARM	
1-SLANT ARM	
1-IRON SHEET	
1-LID	
1-BASE	
1-FRAME	
2-BOLTS	
BOLTS ARE SCREWED IN PLACE	