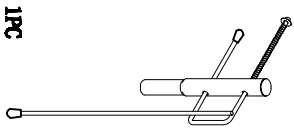

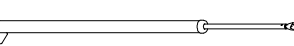
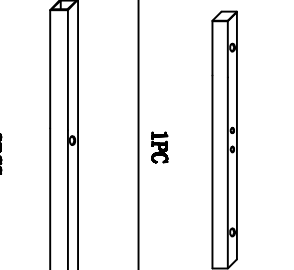
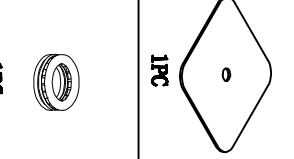
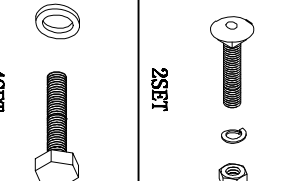

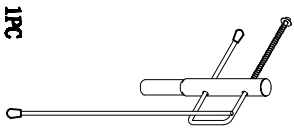

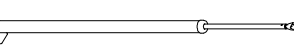
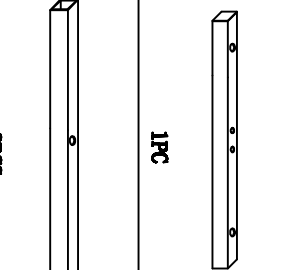
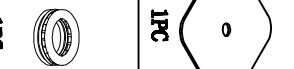
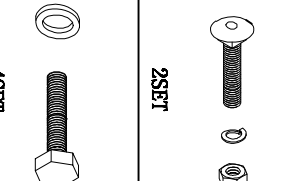
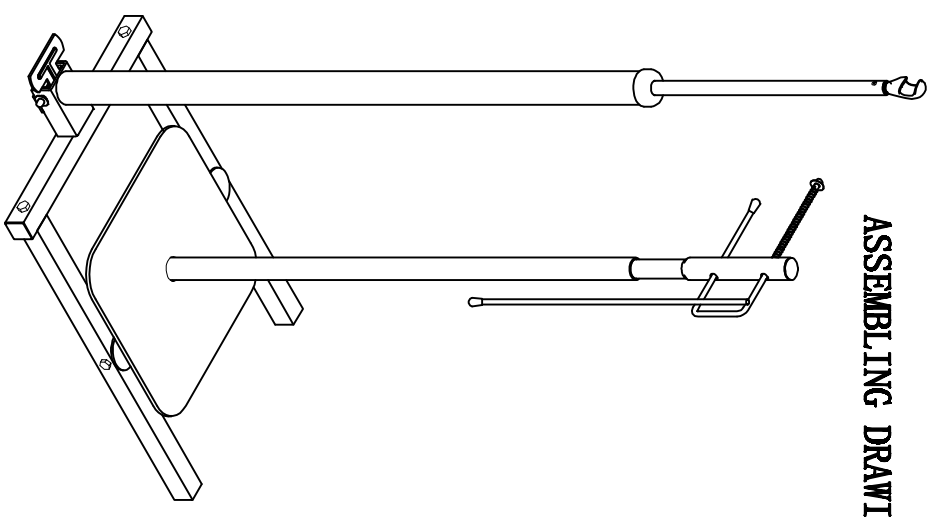


ITEM #K31

| | | | | | | |
|--|--|--|---|--|---|---|
| A  1PC | B  1PC | C  1PC | D  1PC | F  1PC | H  2SET | J  2PCS |
| A  1PC | B  1PC | C  1PC | E  2PCS | G  1PC | I  4SET | |

ASSEMBLING DRAWING



ASSEMBLY EXPLODED VIEW

