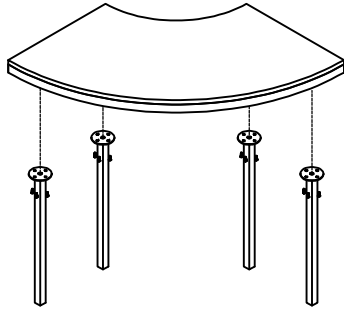
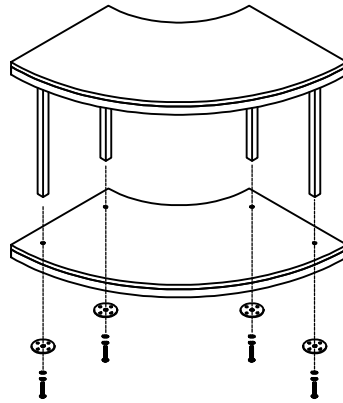


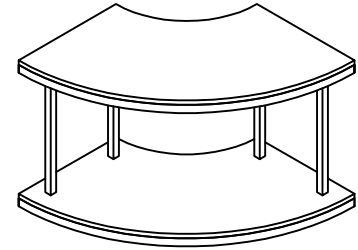
Assembling Process
STEP1
TABLE/Q



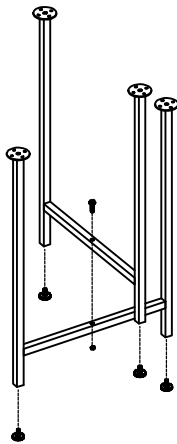
STEP2
TABLE/Q



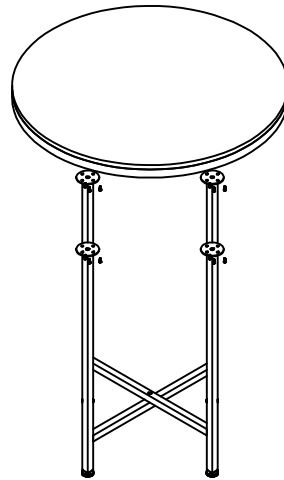
STEP3
TABLE/Q



STEP4
TABLE/R



STEP5
TABLE/R



STEP6

